

PRODUCT INFORMATION PACKET

Model No: 056C34G5311

Catalog No: G854

0.50 HP Explosion Proof Motor, 1 phase, 3600 RPM, 115/208-230 V, 56C Frame, EPFC
Explosion Proof NEMA Motors



Regal and Marathon are trademarks of Regal Beloit Corporation or one of its affiliated companies.
©2020 Regal Beloit Corporation, All Rights Reserved. MC017097E

REGAL

Nameplate Specifications

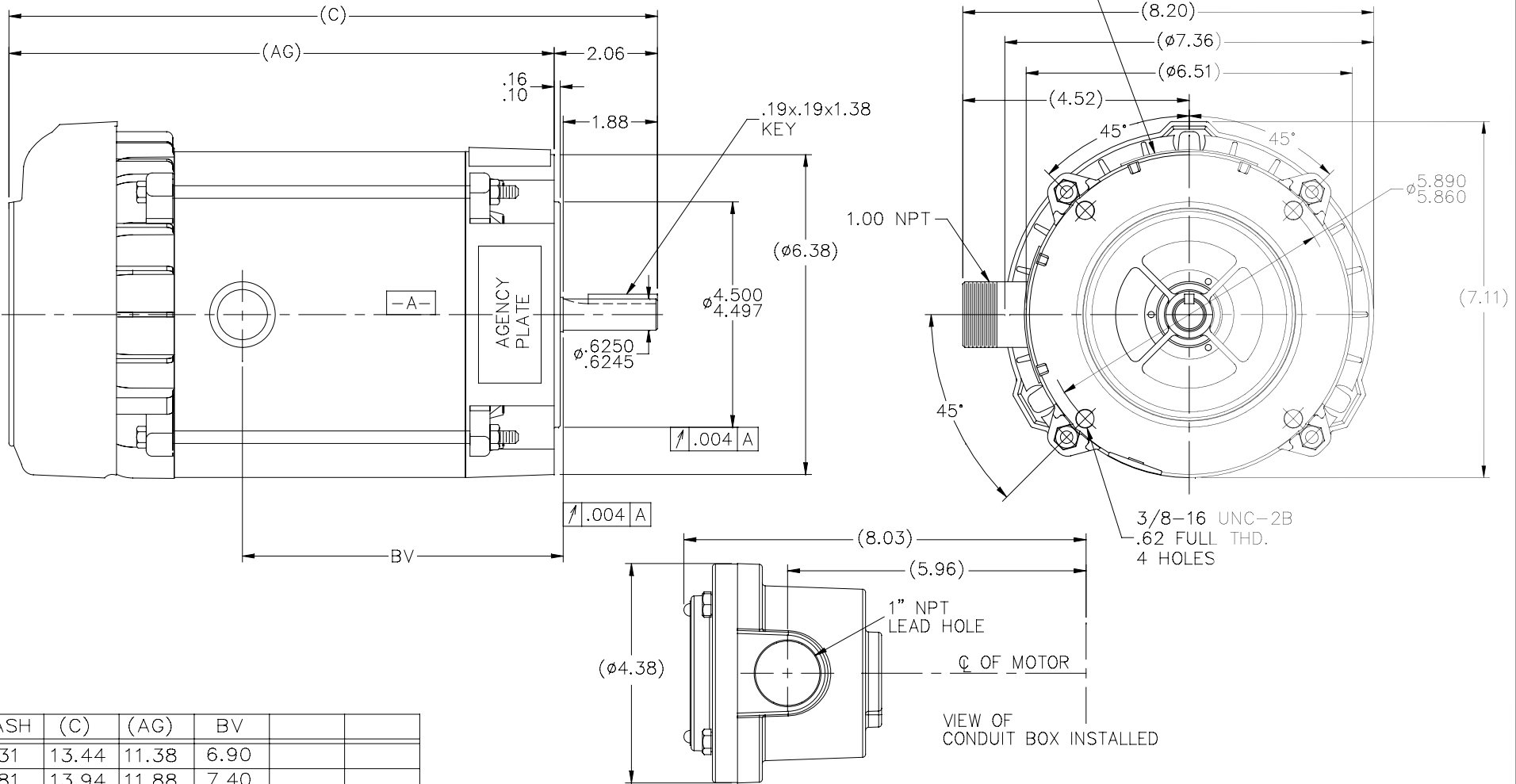
Output HP	0.50 Hp	Output KW	0.37 kW
Frequency	60 Hz	Voltage	115/208-230 V
Current	8.4/4.0-4.2 A	Speed	3450 rpm
Service Factor	1	Phase	1
Efficiency	59.5 %	Power Factor	70
Duty	Continuous	Insulation Class	B
Design Code	NO DESIGN CODE	KVA Code	N
Frame	56C	Enclosure	Explosion Proof Fan cooled
Thermal Protection	Automatic	Ambient Temperature	40 °C
Drive End Bearing Size	6203	Opp Drive End Bearing Size	6203
UL	UL Listed And CSA Certified	CSA	Y
CE	N	IP Code	54
Hazardous Location	EXP PROOF CL I GR C&D CL II GR F&G T3B		

Technical Specifications

Electrical Type	Capacitor Start Induction Run	Starting Method	Across The Line
Poles	2	Rotation	Selective Counterclockwise
Resistance Main	0 Ohms	Mounting	Round
Motor Orientation	Horizontal	Drive End Bearing	Ball
Opp Drive End Bearing	Ball	Frame Material	Rolled Steel
Shaft Type	NEMA 56	Overall Length	13.44 in
Frame Length	6.31 in	Shaft Diameter	0.625 in
Shaft Extension	2.06 in	Assembly/Box Mounting	F1 ONLY
Connection Drawing	102005-109	Outline Drawing	B-104188-631

104188

NAMEPLATES TO BE READ FROM SHAFT EXT. END.



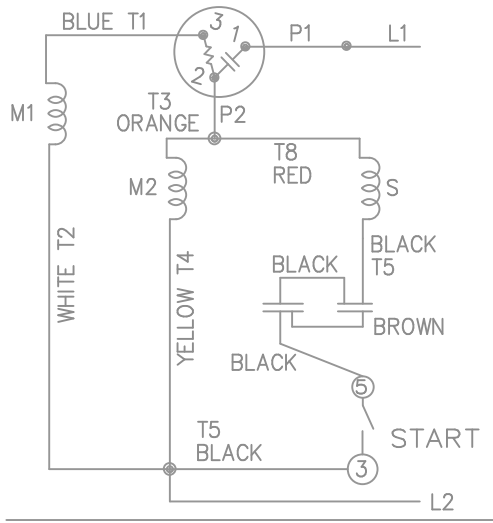
DASH	(C)	(AG)	BV		
631	13.44	11.38	6.90		
681	13.94	11.88	7.40		
731	14.44	12.38	7.90		
781	14.94	12.88	8.40		
831	15.44	13.38	8.90		
881	15.94	13.88	9.40		
931	16.44	14.38	9.90		
981	16.94	14.88	10.40		

NO.	REVISION	BY & DATE	CHK	ANG	TOLERANCES UNLESS SPECIFIED	FINISH	PREV
6		SL 09/15/15					
5	COND. BOX INSTALLED VIEW UPDATED PER ECR-0044571	UD 10/10/13	ST	DEC.	INCHES		
4	REVISED C'BOX PER CN40784A	JJB 02/23/2007	ML	.X	±.1		
3	REDRAWN IN AUTOCAD	TAT 06-28-2004	ML	.XX	±.03		
2	ADDED CONDUIT BOX VIEW CN 26686	MRB 03-22-1999		.XXX	±.005		
1	NEW DRAWING CN 23099	MH 12-02-1996	SM	.XXXX	±.0005		
			CHK	ANG	±7'30"		

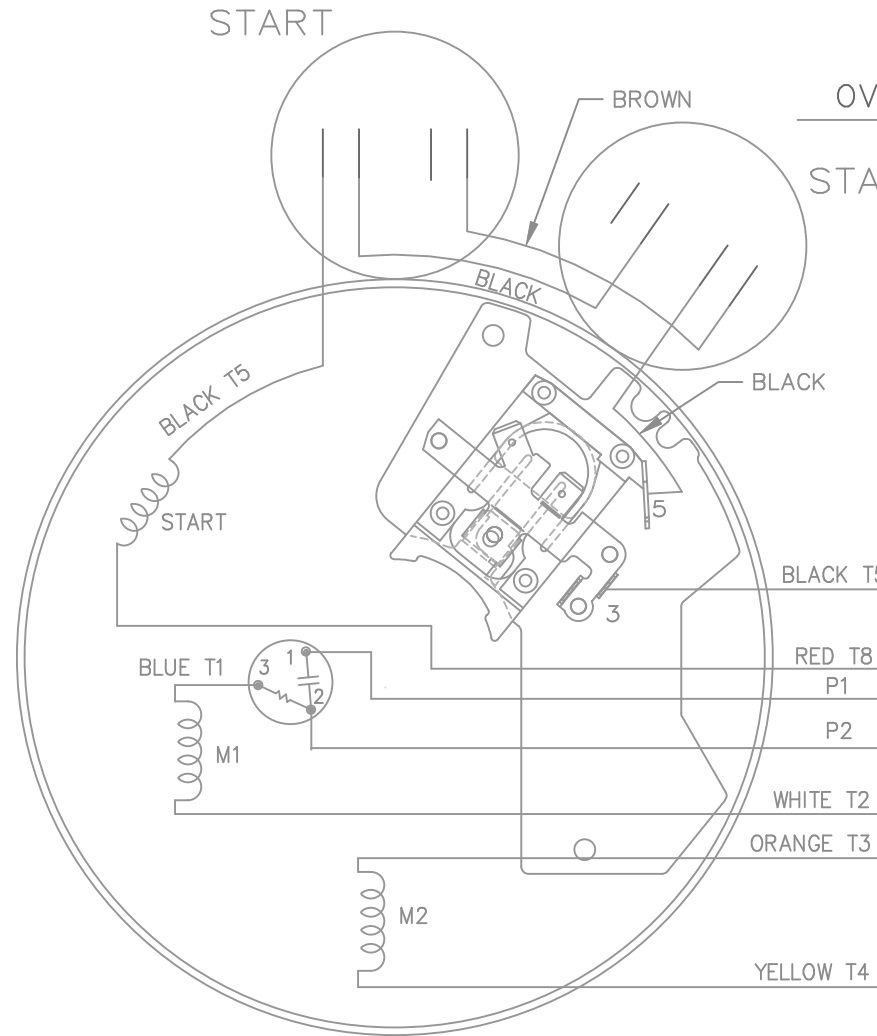
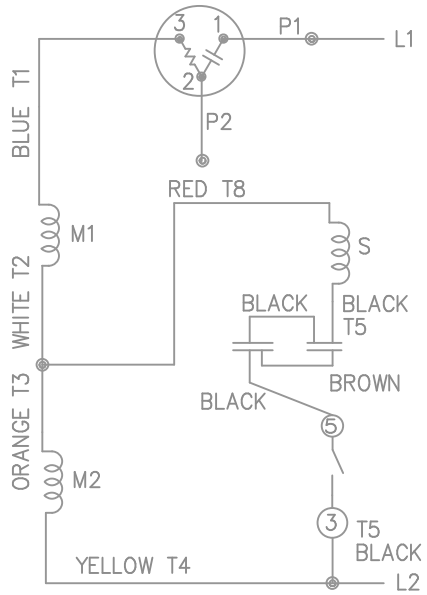
THIS DRAWING IN DESIGN AND DETAIL IS OUR PROPERTY AND MUST NOT BE USED EXCEPT IN CONNECTION WITH OUR WORK ALL RIGHTS OF DESIGN AND INVENTION ARE RESERVED THIS IS AN ELECTRONICALLY GENERATED DOCUMENT - DO NOT SCALE THIS PRINT				RFP	CAD FILE 104188	SIZE B	DRAWING NO. 104188	PAGE OF 6	REV. 6
				DIST WP					

REGAL Regal Beloit America, Inc.

TITLE OUTLINE - 'C' FACE
56C/145TCZ FR - EXP PR.



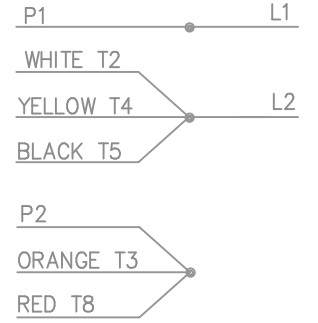
HIGH VOLTAGE - C.C.W.



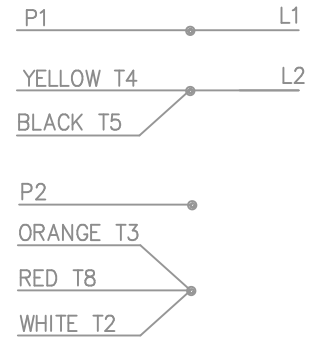
DUAL VOLTAGE CAPACITOR START OVERLOAD SELECT ROT.

START

LOW VOLT. - C.C.W. ROT.



HIGH VOLT. - C.C.W. ROT.



FOR C.W. ROTATION
EITHER VOLTAGE
INTERCHANGE RED(T8)
WITH BLACK(T5) LEAD

				TOLERANCES UNLESS SPECIFIED		MARATHON ELECTRIC	DRAWN MJD 02-11-1998				
				DEC.	INCHES		CHK	ML	02-19-1998		
				.X	± -	TITLE CONNECTION DIAGRAM	APPD	DAR	02-23-1998	SCALE	5=8
2	REISSUE - CLARIFIED JUNCTION OF WHITE T2, BLACK T5 AND YELLOW T4 ON THE LOW VOLTAGE DIAGRAM	MSG 06-26-2007	ST	.XXX	± -		REF				
1	NEW DRAWING MU18593	MJD 02-23-1998		.XXXX	± -	MAT'L.	FMF				
NO.	REVISION	BY & DATE	CHK	ANG	± -	FINISH	PREV				
THIS DRAWING IN DESIGN AND DETAIL IS OUR PROPERTY AND MUST NOT BE USED EXCEPT IN CONNECTION WITH OUR WORK ALL RIGHTS OF DESIGN AND INVENTION ARE RESERVED THIS IS AN ELECTRONICALLY GENERATED DOCUMENT - DO NOT SCALE THIS PRINT				RFP		CAD FILE 102005_109	SIZE	DRAWING NO.	PAGE	OF	REV.
				DIST	WP		A	102005-109			2

CERTIFICATION DATA SHEET

Model#: 56C34G5311 G WINDING#: ZC280 R1 3
 CONN. DIAGRAM: 102005-109 ASSEMBLY: F1 ONLY
 OUTLINE: B-104188-631

TYPICAL MOTOR PERFORMANCE DATA

HP	KW	SYNC. RPM	F.L. RPM	FRAME	ENCLOSURE	KVA CODE	DESIGN
1/2	.37	3600	3450	56C	EPFC	N	NO DESIGN CODE

PH	Hz	VOLTS	FL AMPS	START TYPE	DUTY	INSL	S.F	AMB°C	ELEVATION
1	60	115/208-230	8.4/4-4.2	ACROSS THE LINE	CONTINUOUS	B3	1.0	40	3300

FULL LOAD EFF: 59.5	3/4 LOAD EFF: 54	1/2 LOAD EFF: 45	GTD. EFF	ELEC. TYPE	NO LOAD AMPS
FULL LOAD PF: 70	3/4 LOAD PF: 63	1/2 LOAD PF: 54.5	55	CAP START IND RUN	5.9 / 3

F.L. TORQUE	LOCKED ROTOR AMPS	L.R. TORQUE	B.D. TORQUE	F.L. RISE°C
12 LB-FT	49.6 / 24.8	46 LB-FT 383	37.5 LB-FT 312	50

SOUND PRESSURE @ 3 FT.	SOUND POWER	ROTOR WK^2	MAX. WK^2	SAFE STALL TIME	STARTS /HOUR	APPROX. MOTOR WGT
- dBA	- dBA	0 LB-FT^2	- LB-FT^2	- SEC.	-	0 LBS.

*** SUPPLEMENTAL INFORMATION ***

DE BRACKET TYPE	ODE BRACKET TYPE	MOUNT TYPE	ORIENTATION	SEVERE DUTY	HAZARDOUS LOCATION	DRIP COVER	SCREENS	PAINT
C-FACE	STANDARD	ROUND	HORIZONTAL	FALSE	EXP PROOF CL I GR C&D CL II GR F&G T3B	FALSE	NONE	GRAY (POWDER)

BEARINGS		GREASE	SHAFT TYPE	SPECIAL DE	SPECIAL ODE	SHAFT MATERIAL	FRAME MATERIAL
DE	OPE						
BALL	BALL	POLYREX EM	T	NONE	NONE	1144 STRESSPROOF (C-223)	ROLLED STEEL
6203	6203						

THERMO-PROTECTORS				THERMISTORS	CONTROL	SPACE /n HEATERS
THERMOSTATS	PROTECTORS	WDG RTDs	BRG RTDs			
NONE	AUTOMATIC	NONE	NONE	NONE	FALSE	NONE VOLTS

If Inverter equals NONE, contact factory for further information

*
N
O
T
E
S
*

INVERTER TORQUE: NONE
INV. HP SPEED RANGE: NONE
ENCODER: NONE
NONE NONE
NONE NONE PPR
BRAKE: NONE NONE
NONE P/N NONE
NONE NONE
NONE FT-LB NONE V NONE Hz

DATE: 06/27/2017 07:55:22 AM
 FORM 3531 REV.3 02/07/99
 ** Subject to change without notice.



MARATHON ELECTRIC CORPORATION
TYPICAL PERFORMANCE CURVE for AC MOTOR

Customer

Curve at

230

Volts

HP 0.50

PHASE 1

Model No 56C34G5311

60

HZ

VOLTS 115/208-230

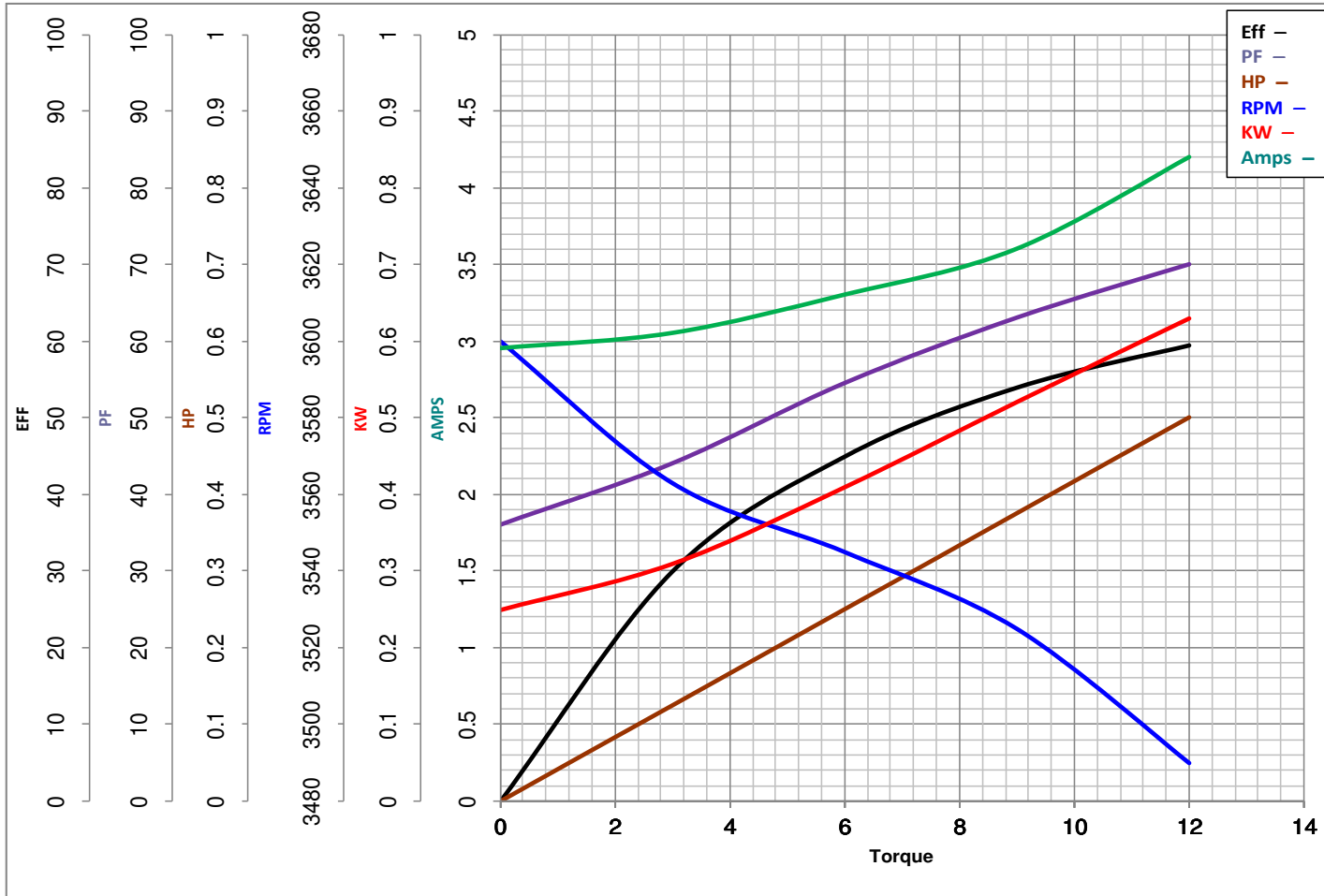
0.5

HP

Catalog No G854

HZ 60

RPM 3450



Torque in Oz.Ft

FL TORQUE 12 Oz.Ft
BD TORQUE 37.5 Oz.Ft
LR TORQUE 46 Oz.Ft

FL AMPS 8.4/4-4.2
PU TORQUE 35.2 Oz.Ft
LR AMPS 24.8

WINDING ZC280-3

Date 1/23/2019